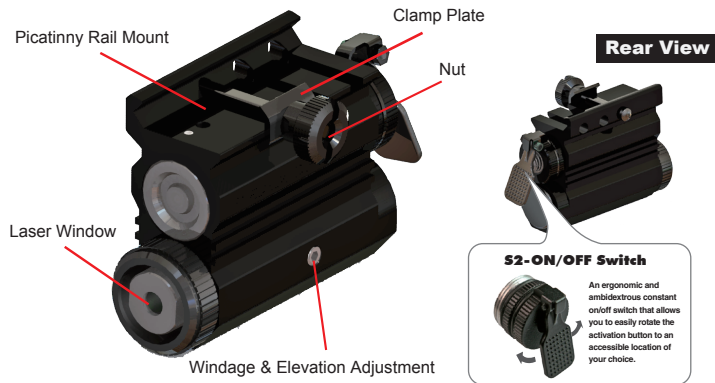


BEAMSHOT®

GB 3001 Intimidator Compact True Daylight Green Laser Sight

Instruction Manual

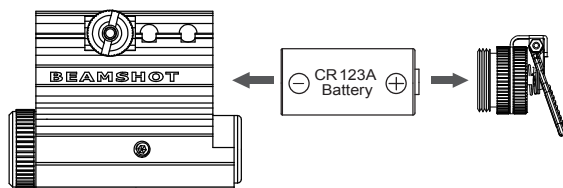
Construction



Battery Replacement

Warning: If battery replacement is performed while unit is mounted to a weapon insure that the weapon is unloaded and that the weapon has no ammunition in the chamber.

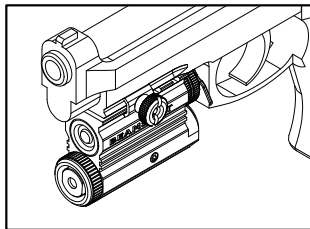
Unscrew the rear cap of the GB3001. Remove the old battery and replace it with a new CR 123A battery. Before inserting the battery match the direction of battery as shown. Replace the rear cap.



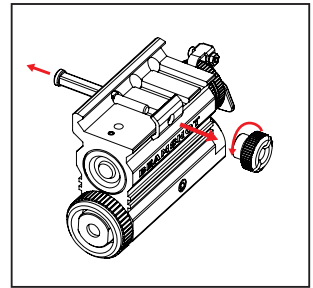
Mounting

After first checking to insure that the weapon is unloaded and has no ammunition in the chamber.

Attach the GB3001 to M1913/Picatinny rail of your rifle or pistol. Fasten the Clamp Plate with the Nut by your fingers. Affix the Velcro side of the activation button to the elastic band.



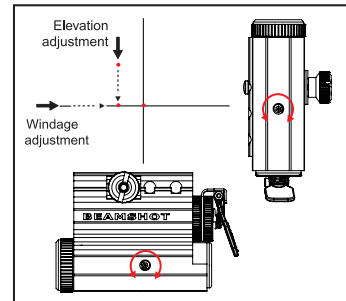
If the space between the trigger guard and Picatinny rail is not enough to mount the GB3001 to your compact pistol. You can change the mounting hole to fit the space. Unscrew the fasten screw by fingers and screw it into another mounting hole as shown.



Adjusting the Laser Beam

Before beginning the adjustment process, insure that your weapon is unloaded and there is no ammunition in the chamber. During laser alignment make sure to always keep your weapon pointed in a safe direction away from others and never place your finger on the trigger.

Using a standard 25 yard indoor target place your weapon in a gun vise using your front and rear sights to zero your weapon on the target. To make windage and elevation adjustments use the included wrench to rotate the adjustment screws to zero laser beam on target.



Specifications

Available colors	Black(anodized)
Dimensions	3.0"(L) x 1.4"(W) x 2"(H)
Construction	Aluminun
Battery Life	4 hrs / 1xCR123A
Wavelength / Range	532 nm / 1 mile (nighttime range)
Operation	S2 ambidextrous constant on/off switch
Power	<5 mW, Class IIIa
Dot Size	3/4"@ 10 yards, 2"@ 30 yards
Windage & Elevation Adjustment	3 ft.@10 yards, 30 ft.@100 yards
Mount	For M1913/Picatinny rail without tool