

BEAMSHOT®

TACTICAL ADVANTAGE GROUP

TD 4 240 Lumens Tactical Flashlight Instruction Manual with New Strobe and Dimming Capabilities

Construction

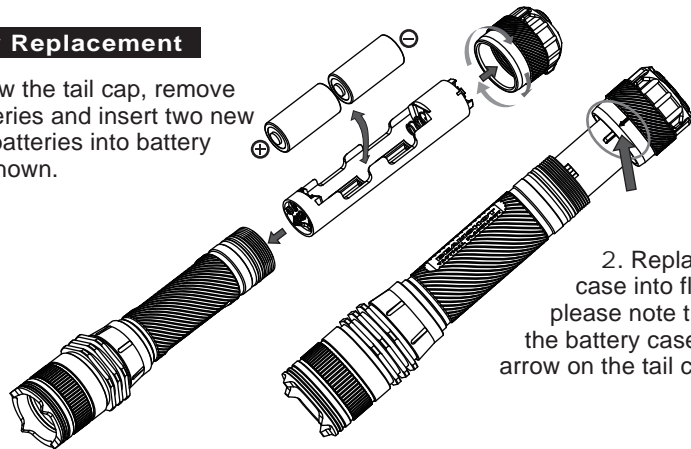


Specifications

BULB	LED - 100,000 hours life time warranty
OUTPUT	240 lumens
RUNTIME	1.5 hour - full power 3 hours - strobe mode 400 hours - lowest power
WEIGHT (w/batteries)	4.4 oz (165g)
LENGTH	6" - 15.4cm
BEZEL	1.28" - 3.3cm
BODY	1" - 2.54cm
BATTERIES	Two CR123A lithium included
OPERATION	Momentary Strobe & "S.O.S." signal Constant On and adjustable light level

Battery Replacement

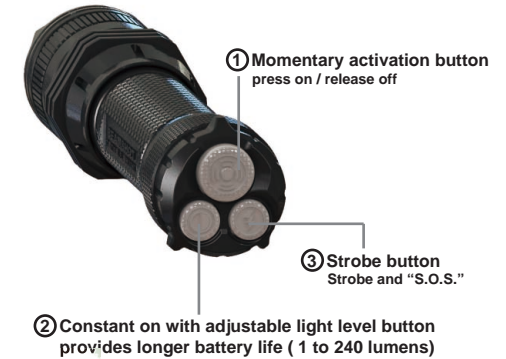
1. Unscrew the tail cap, remove used batteries and insert two new CR123A batteries into battery case as shown.



2. Replace the battery case into flashlight housing, please note the bulge point on the battery case has to face the arrow on the tail cap.

Flashlight Activation

- ① Momentary activation button**
Press on/Release off
- ② Constant on button**
Press on
Press again off
Press and hold to dim the light
Press and hold again to brighten the light
- ③ Strobe button**
Press to activate strobe function
Press on hold to change to "S.O.S" light signal



Accessories

Duty Holster

High quality 1000D three-layer Nylon laminated holster for transporting and attaching your duty belt. (\$ 30 Value)



F2 Red Filter

Red filters are used to prevent spooking game during low light and night travels and operations.



Optional Accessories

Weapon Mount-

M2 Rail Mount
Mounts to standard 7/8" weaver base and M1913 Picatinny rail without tools.



UB2 Barrel Mount

Mounts to virtually every signal barrel rifle or shotgun with a barrel size of 0.55" ~ 1.06"(14mm ~27mm)



Filter-

F1 Diffusion Filter

The diffusion filter converts the focused high output beam of TD4 flashlight to a softly diffused wide angle beam for closer range, non tactical applications.



F3 Blue Filter

Blue filters are used to locate blood trails and traces which is more distinctly visible when viewed.



BEAMSHOT other equipment



GB50



GB100



GB1000



GB2000



GB 8300S